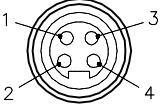
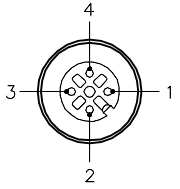
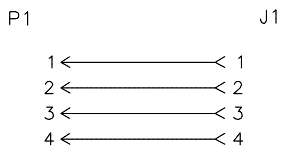
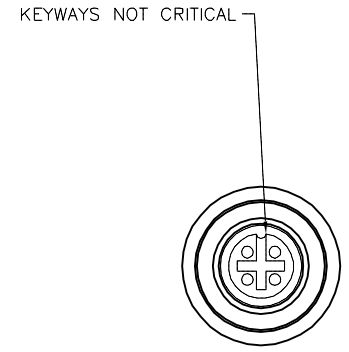
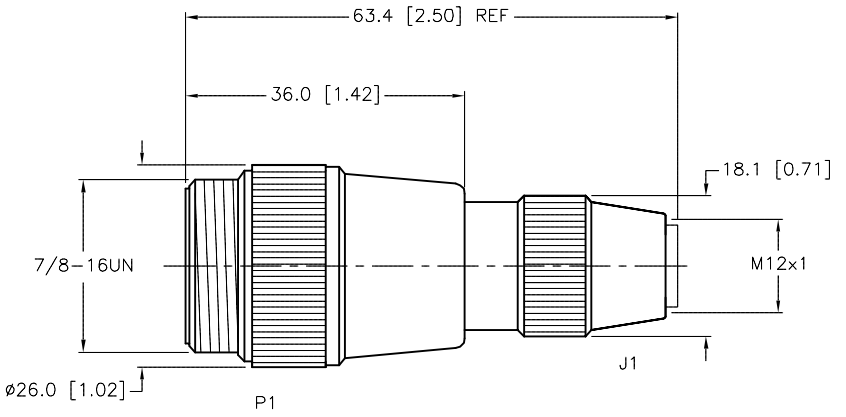
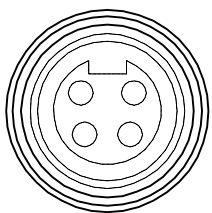
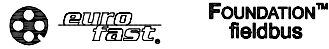
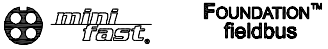
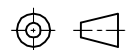



MALE END VIEW	FEMALE END VIEW	WIRING DIAGRAM	SPECIFICATIONS	
 <p>1 = (- VOLTAGE) 2 = (+ VOLTAGE) 3 = (SHIELD) 4 = (GROUND)</p>	 <p>1 = (- VOLTAGE) 2 = (+ VOLTAGE) 3 = (SHIELD) 4 = (GROUND)</p>		CONTACT CARRIER MATERIAL	TPU
			COUPLING NUT MATERIAL/PLATING	BRASS/NICKEL
			RATED CURRENT [A]	4.0 A
			RATED VOLTAGE [V]	250 V
			TEMPERATURE RATING	-40°C to +105°C (-40°F to +221°F)
			PROTECTION CLASS	MEETS IEC IP67



SOURCE DRAWING - FOR REFERENCE ONLY

RELATED DOCUMENTS 1. RSM 57-FK 4.5 (U0102-4) 2. 3. 4.	3RD ANGLE PROJECTION 	THIS DRAWING IS CONFIDENTIAL AND THE PROPERTY OF TURCK INC. USE OF THIS DOCUMENT WITHOUT WRITTEN PERMISSION IS PROHIBITED.	 <p>3000 CAMPUS DRIVE MINNEAPOLIS, MN 55441 1-800-544-7769 (763) 553-7300 (763) 553-0708 fax www.turck.us</p>																												
MATERIAL FINISH	ALL DIMENSIONS DISPLAYED ON THIS DRAWING ARE FOR REFERENCE ONLY CONTACT TURCK FOR MORE INFORMATION	<table border="1"> <tr> <td>DRFT</td> <td>GC</td> <td>DATE</td> <td>12/17/98</td> </tr> <tr> <td>APVD</td> <td>GC</td> <td>SCALE</td> <td>1=1.0</td> </tr> <tr> <td colspan="4" style="text-align: center;">UNIT OF MEASUREMENT</td> </tr> <tr> <td colspan="4" style="text-align: center;">MILLIMETER [INCH]</td> </tr> </table>	DRFT	GC	DATE	12/17/98	APVD	GC	SCALE	1=1.0	UNIT OF MEASUREMENT				MILLIMETER [INCH]				<table border="1"> <tr> <td colspan="2">DESCRIPTION</td> <td>REV</td> </tr> <tr> <td colspan="2">RSM 49-FK 4.4</td> <td>F</td> </tr> <tr> <td colspan="2">IDENTIFICATION NO.</td> <td></td> </tr> <tr> <td colspan="2">U2139-90</td> <td></td> </tr> </table>	DESCRIPTION		REV	RSM 49-FK 4.4		F	IDENTIFICATION NO.			U2139-90		
DRFT	GC	DATE	12/17/98																												
APVD	GC	SCALE	1=1.0																												
UNIT OF MEASUREMENT																															
MILLIMETER [INCH]																															
DESCRIPTION		REV																													
RSM 49-FK 4.4		F																													
IDENTIFICATION NO.																															
U2139-90																															
<table border="1"> <tr> <td>F</td> <td>DRAWING PROCESSED AS PART OF ECO 33971</td> <td>CBM</td> <td>04/07/11</td> <td>33971</td> </tr> <tr> <td>REV</td> <td>DESCRIPTION</td> <td>BY</td> <td>DATE</td> <td>ECO NO.</td> </tr> </table>	F	DRAWING PROCESSED AS PART OF ECO 33971	CBM	04/07/11	33971	REV	DESCRIPTION	BY	DATE	ECO NO.			DO NOT SCALE THIS DRAWING	FILE: U2139-90 SHEET 1 OF 1																	
F	DRAWING PROCESSED AS PART OF ECO 33971	CBM	04/07/11	33971																											
REV	DESCRIPTION	BY	DATE	ECO NO.																											